



---

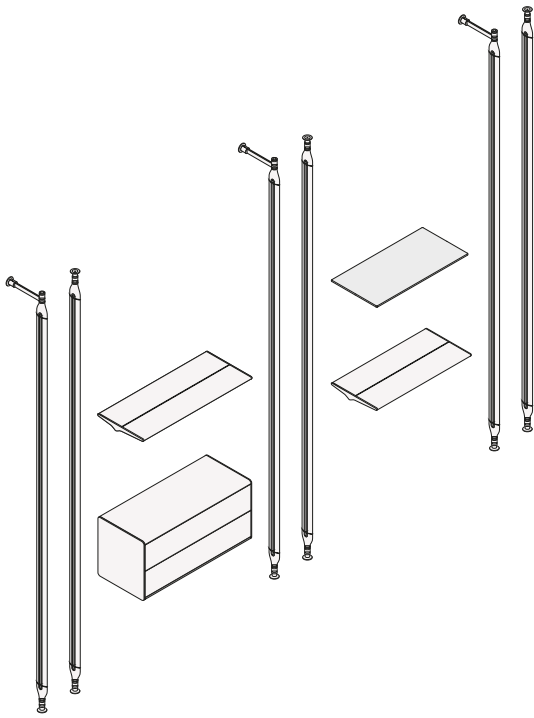
## DESCRIPTION

<b>Typology</b>	Bookcase
<b>Structure</b>	Aluminium painted or veneered
<b>Shelves</b>	Aluminium painted or veneered
<b>Storage units</b>	Panel of wooden particles in medium density fibre veneered

---

## STRUCTURE

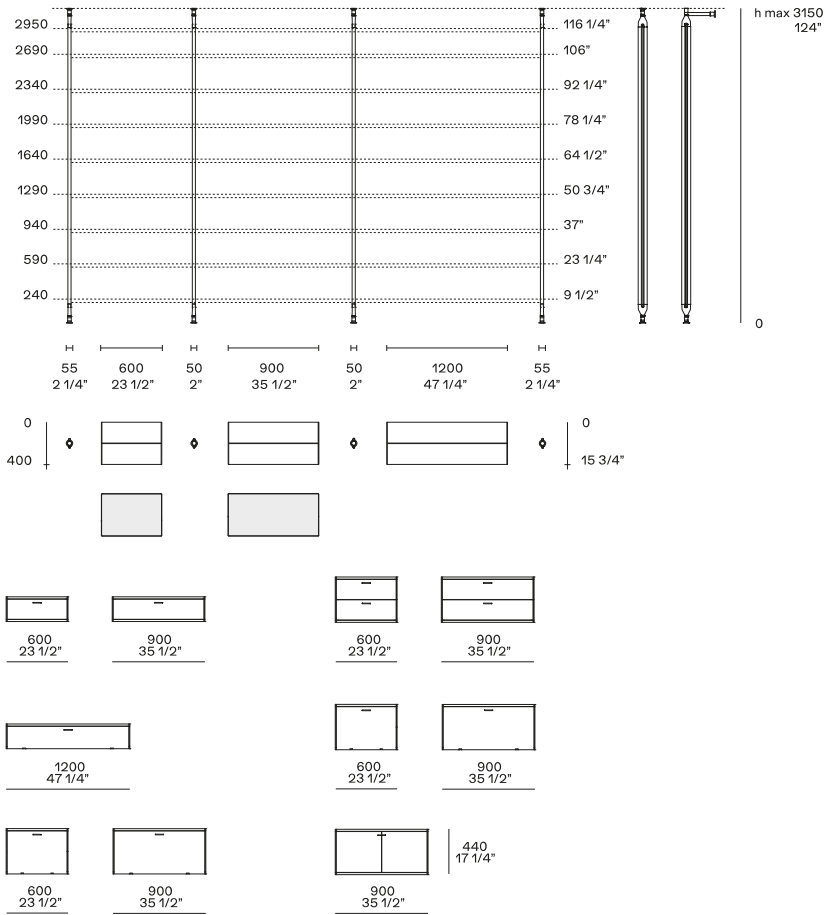
### Components



### Uprights finishings

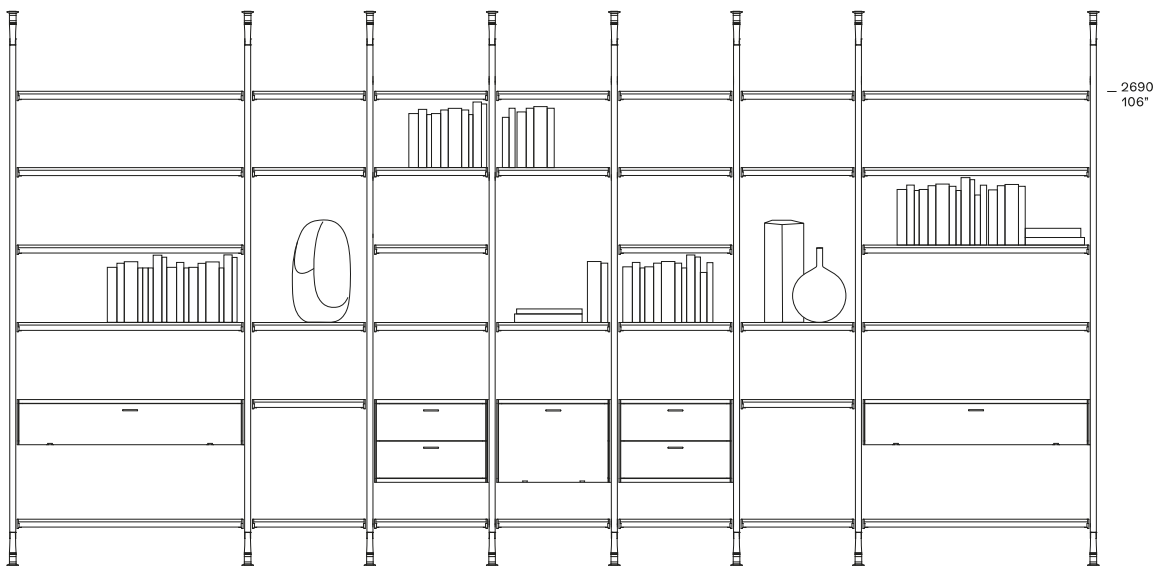
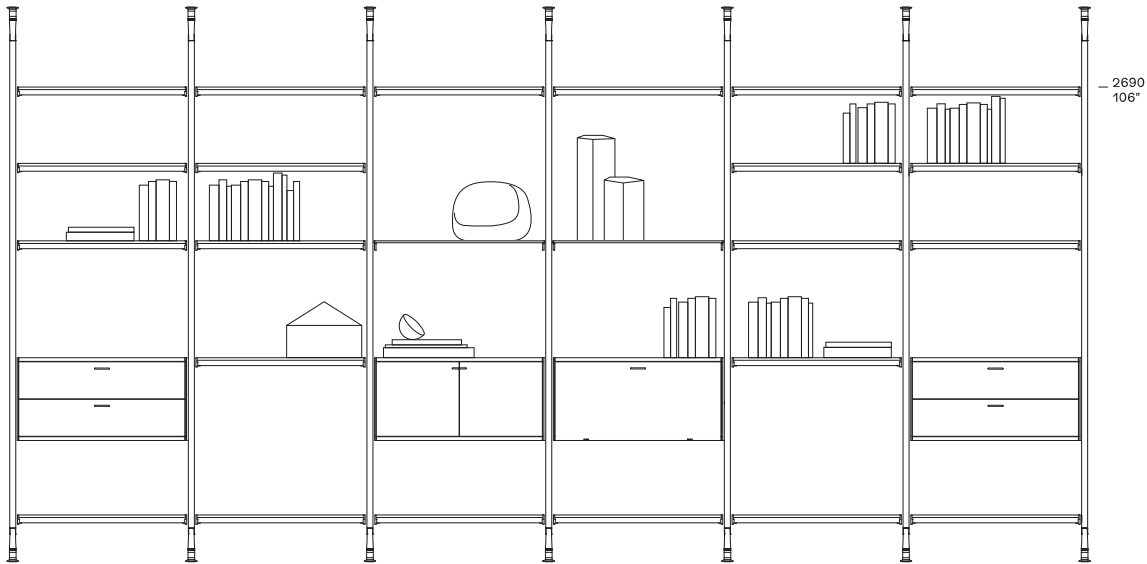
### Shelves finishings

## MODULARITY



## COMPONENTS

### Bookcase components



### Storage units finishings

### Internal drawers finishings

### Optional drawers bottom finishings

### Inner shelves finishings

### Metal parts finishings