



DESCRIPTION

Typology	Kitchen
Door thickness	26 mm - 1"
Top thickness	6-12-20-30-40-52 mm
Base units opening type	With built-in handle
Tall units opening type	With integrated handle
Wall units opening type	Profile
Upper elements for tall unit opening type	With handle tip-on

DOOR

Structure item



Central Shape handle | 180, 357



Shape handle with towards | 177

DOOR FINISHES

Structure item



Spessore anta
26 mm bordo apertura con modanatura e maniglia integrata centrale



Spessore anta
26 mm bordo apertura con modanatura e maniglia integrata laterale

SHOWCASES COMBINATION

Structure item



PR19 for wall units

Bronze 5051 reflective glass door with bronze painted aluminum frame. For wall units with under-cabinet profile or tip-on opening.



PR21 for columns and wall units

Door in 5059 smoked reflective glass with mocha anodized aluminum frame. For wall units opening with under-cabinet profile. For columns, opening with integrated mocha painted handle. For elements above column tip-on opening.

??? ??????? ???? ? ??????
?????? ??????. ?? ??????
?????, ????????????? ?
????????? ?????, ?????????? ?
???? ?????. ????????? ?
????????? ?? ?????????.

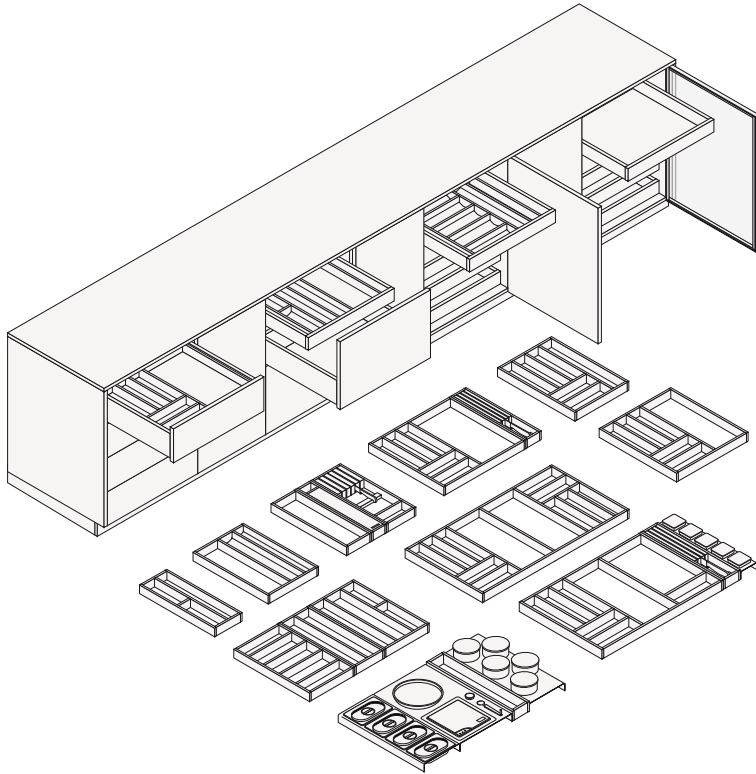


PR24 for columns and wall units

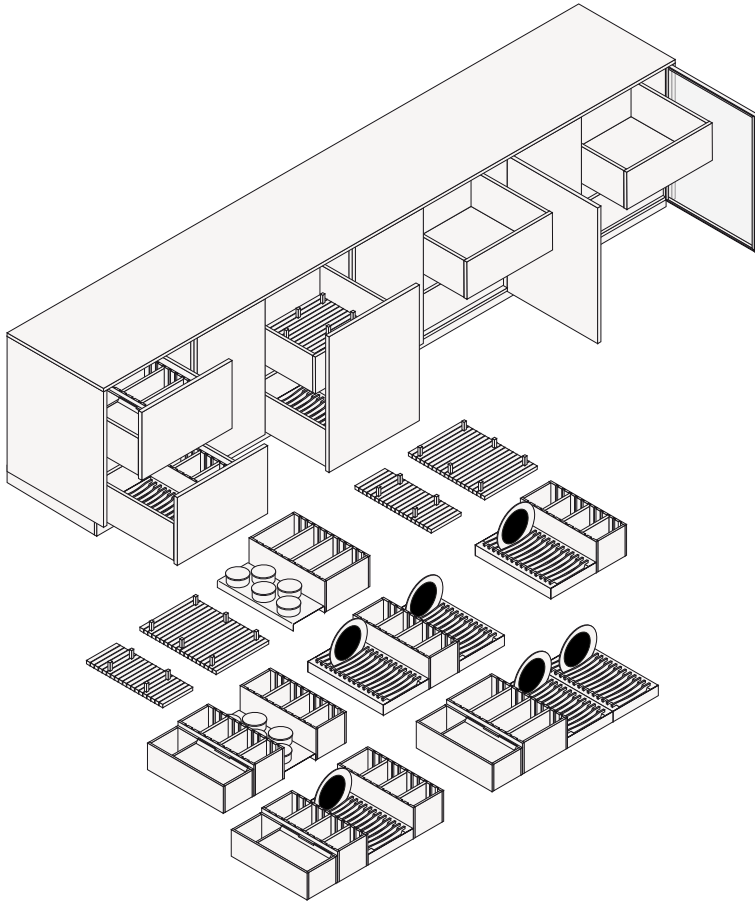
Door in 5059 smoked reflective glass with champagne or mocha anodized aluminum frame. For door bases with 55° shaped upper frame like Alea Pro door. For wall units with opening profile under the wall unit. For columns opening with integrated handle painted champagne or mocha. For elements above column tip-on opening.

EQUIPMENT

Drawers equipment

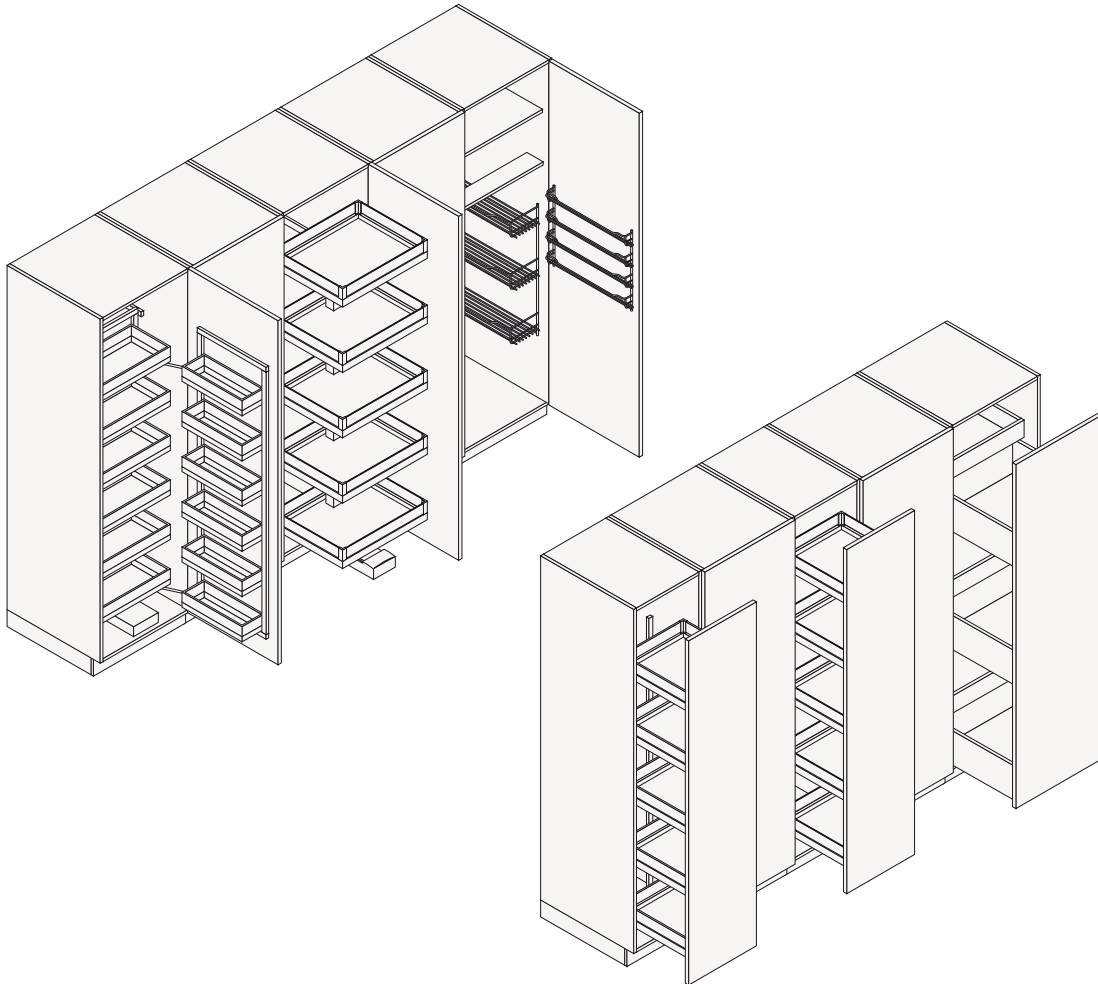


Pull-out baskets equipment



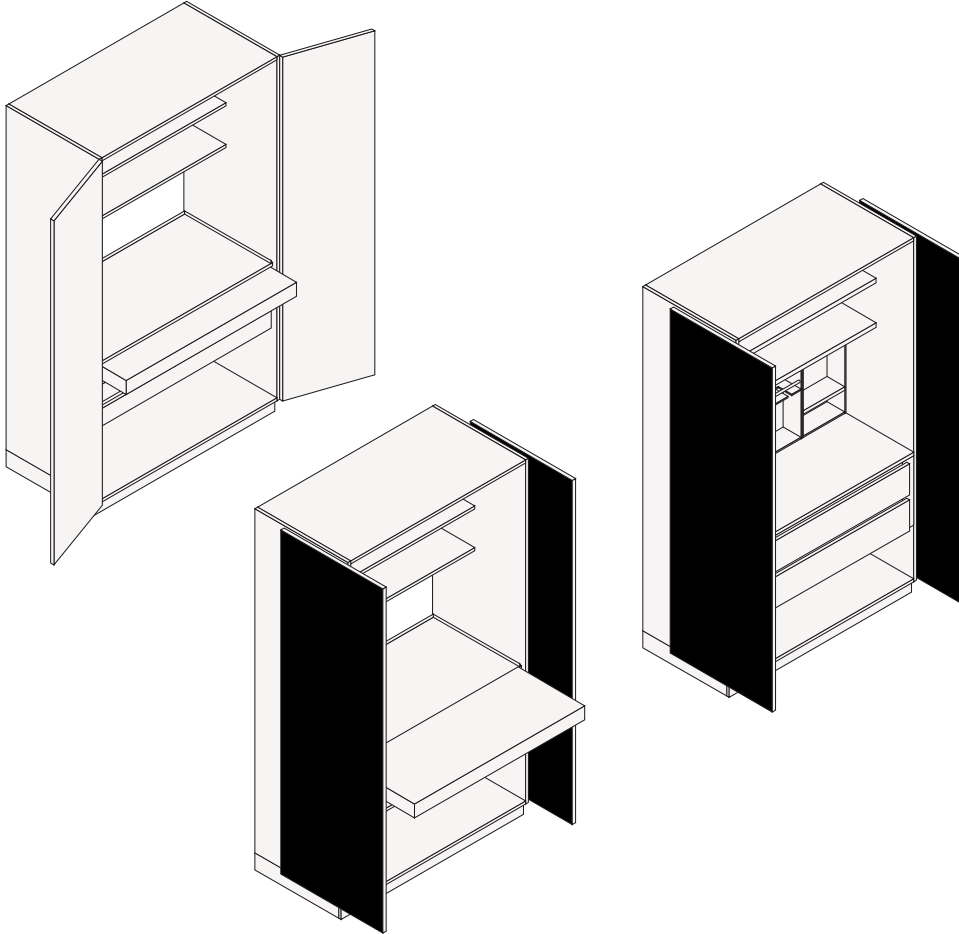
EQUIPPED TALL UNITS

EQUIPPED COLUMNS



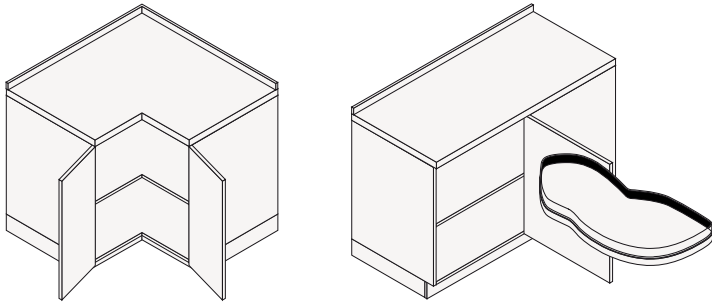
EQUIPPED UNITS

Structure item

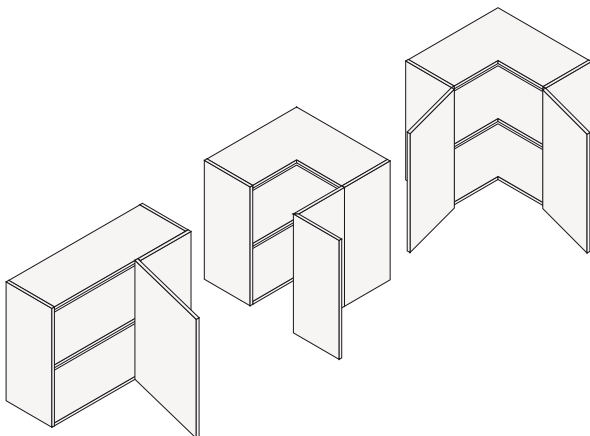


CORNER SOLUTION

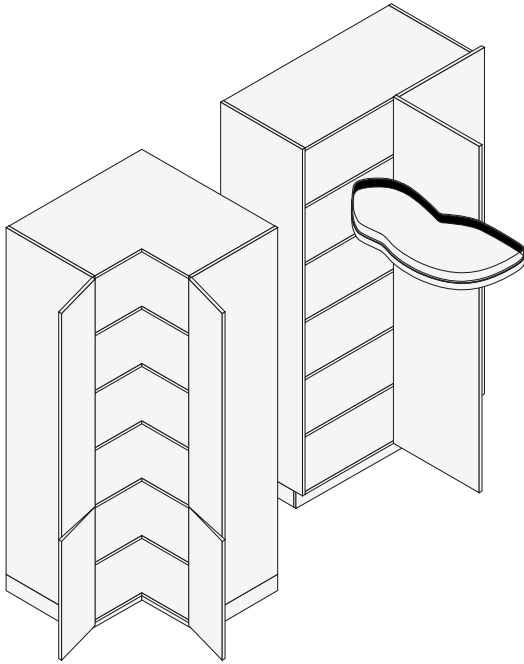
Base units



Wall units

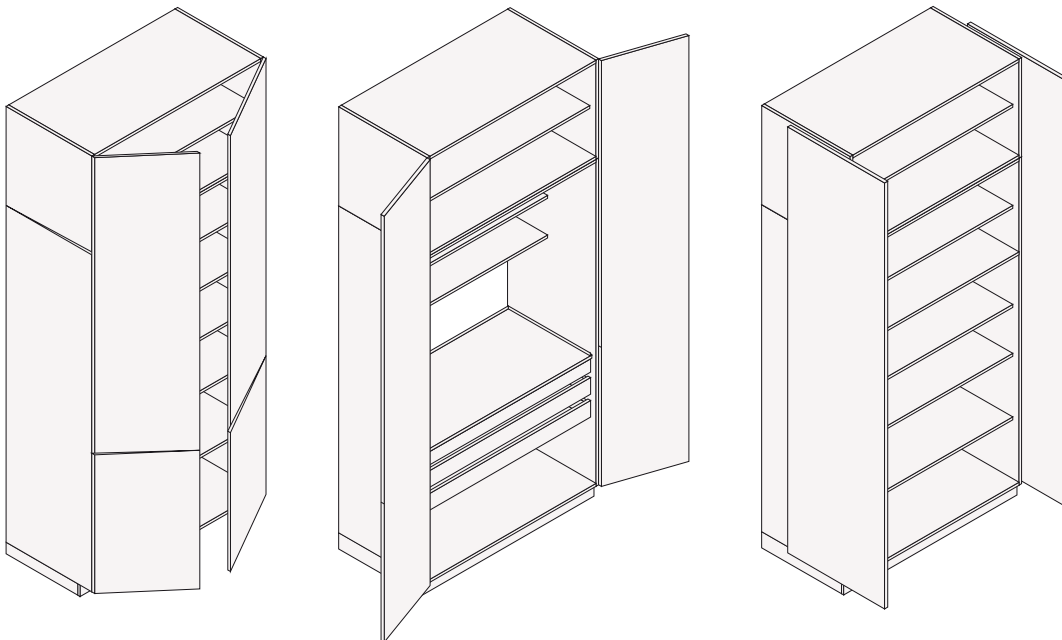


Tall units



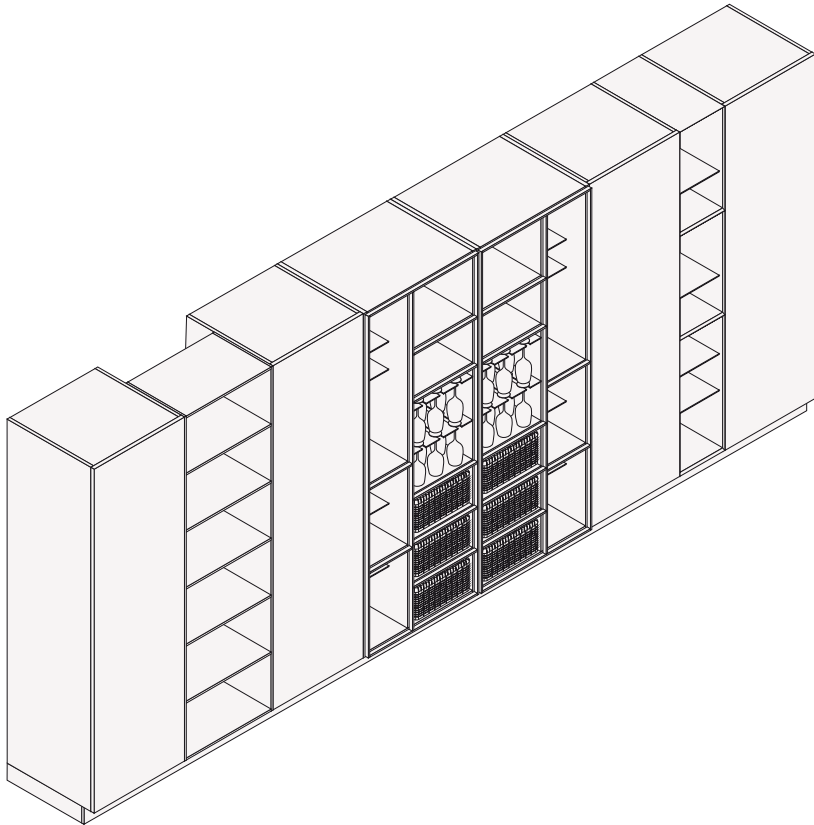
HIGH TALL UNITS

Structure item



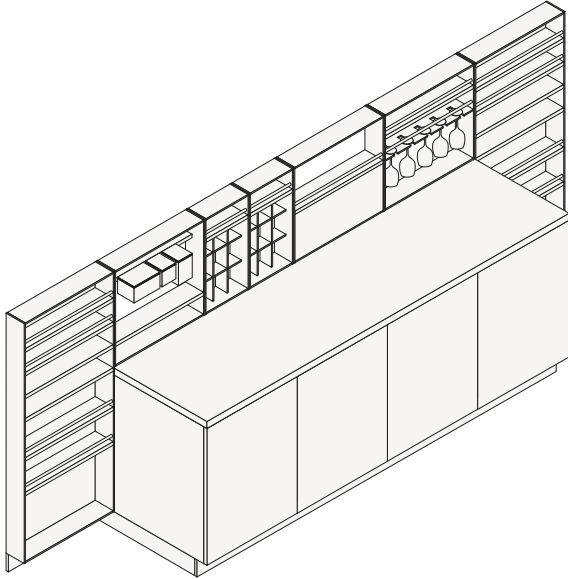
OPEN UNITS

Structure item



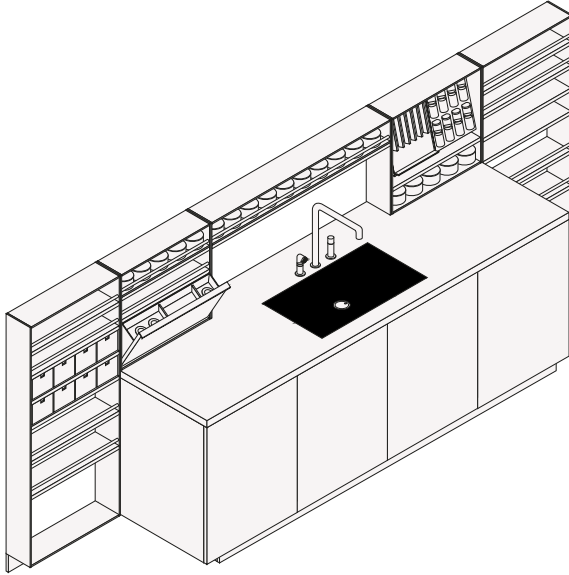
SHAKER MODULAR BACKS

Structure item

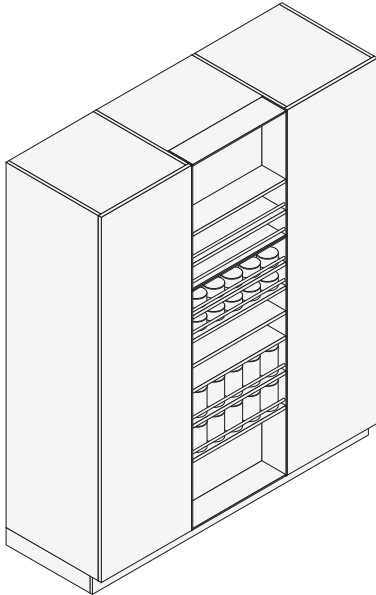


DEEP SHAKER SYSTEM

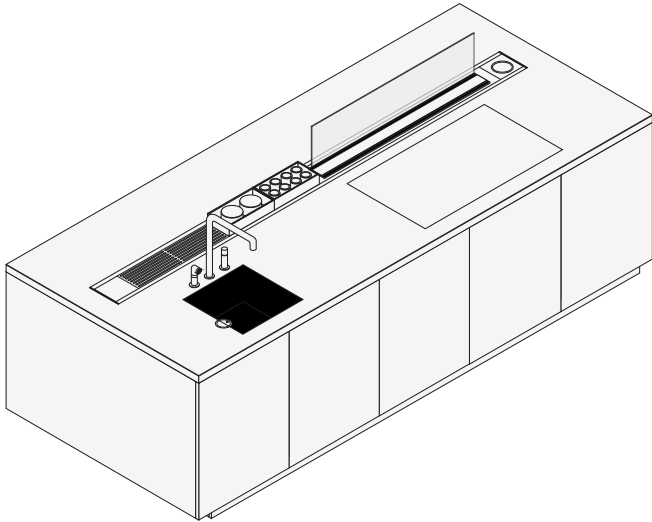
Deep Shaker



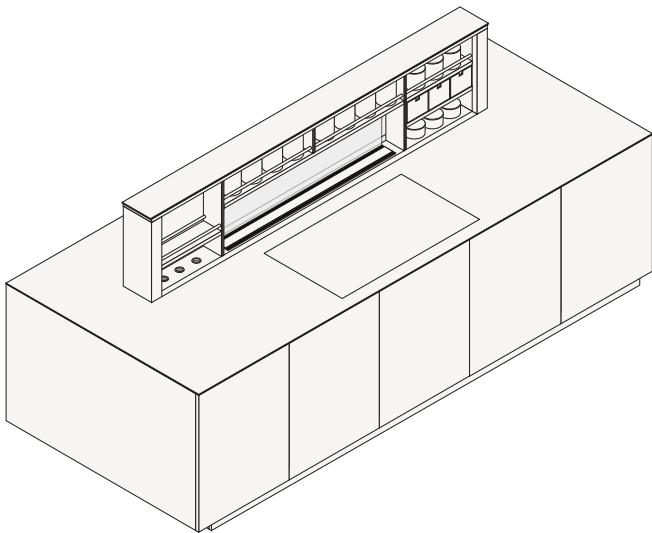
Deep Shaker Wall



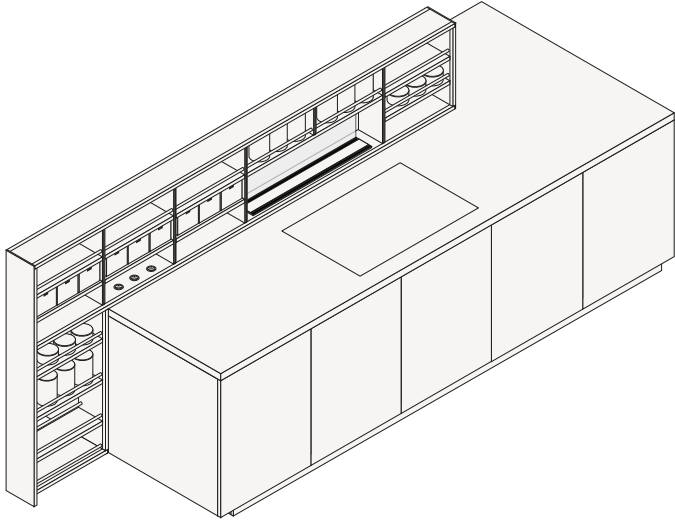
Deep Shaker Plain



Deep Shaker Move

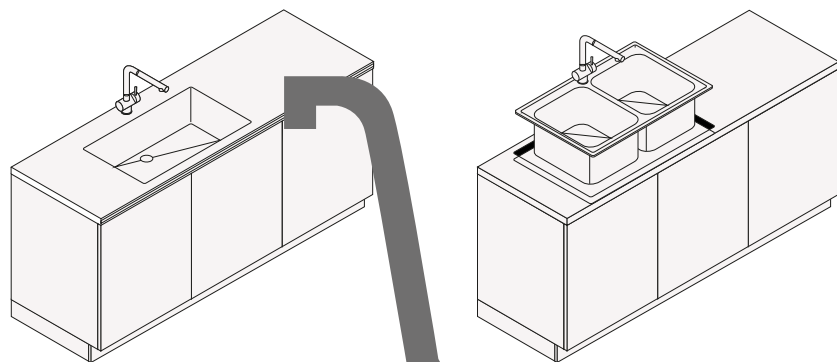


Deep Shaker Island



SINKS AND HOBS

Sinks



Fully flush built-in

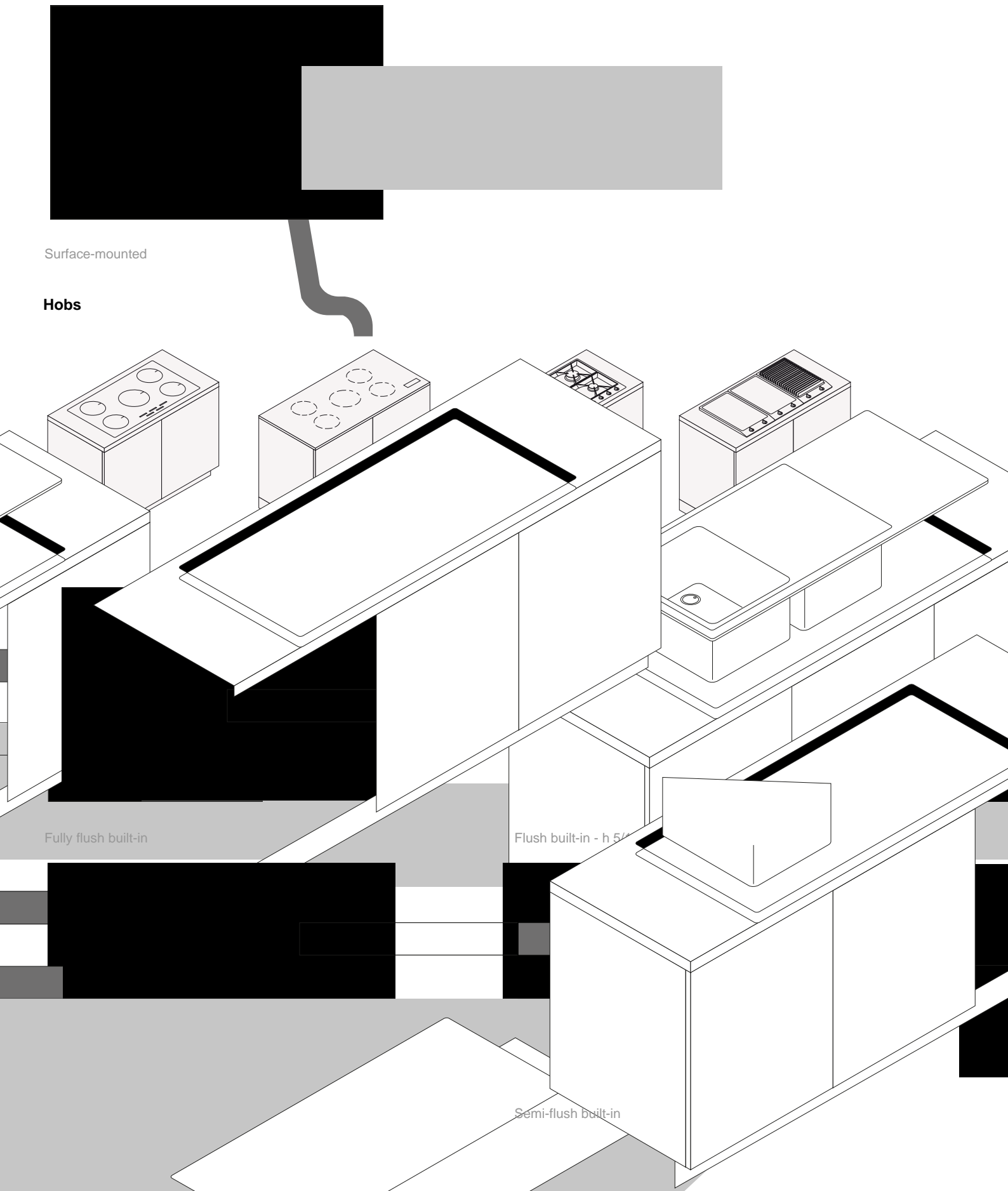
Flush built-in - h 5/128"

Surface-mounted - h 1 1/2"

Under-top mounted

Surface-mounted

Hobs



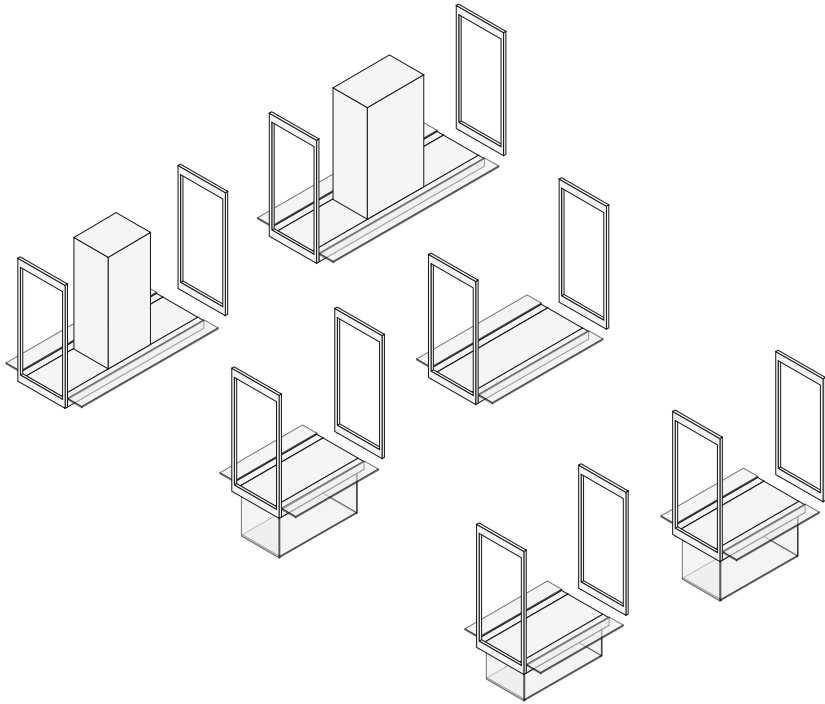
Fully flush built-in

Flush built-in - h 50mm

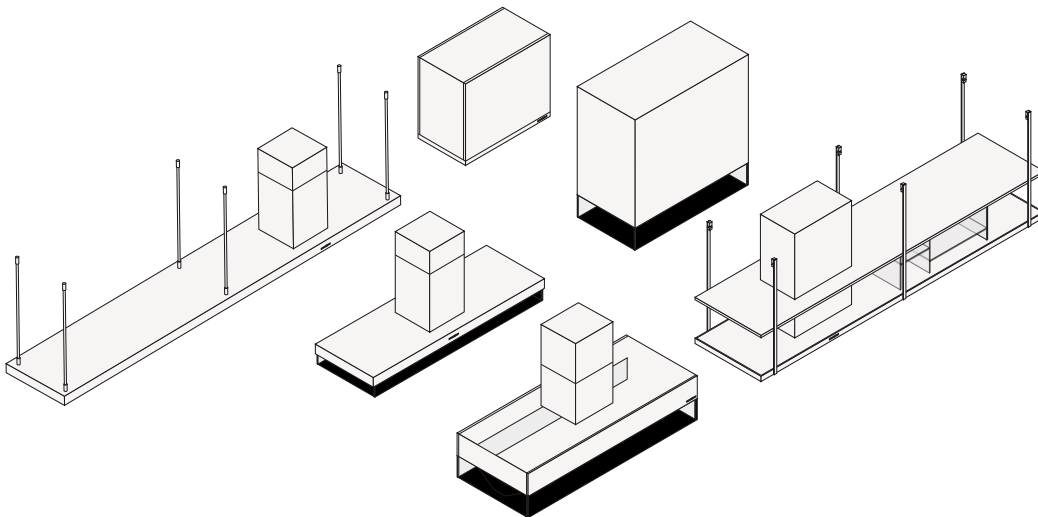
Semi-flush built-in

POLIFORM PERSONALISED HOODS

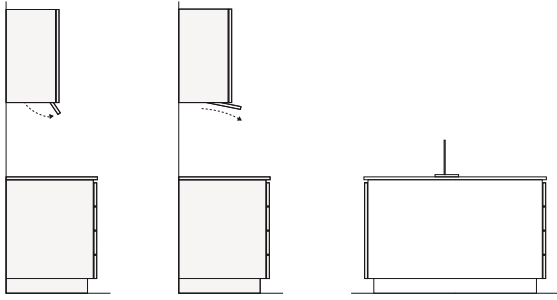
Infinity, modular system



Wall and island hood

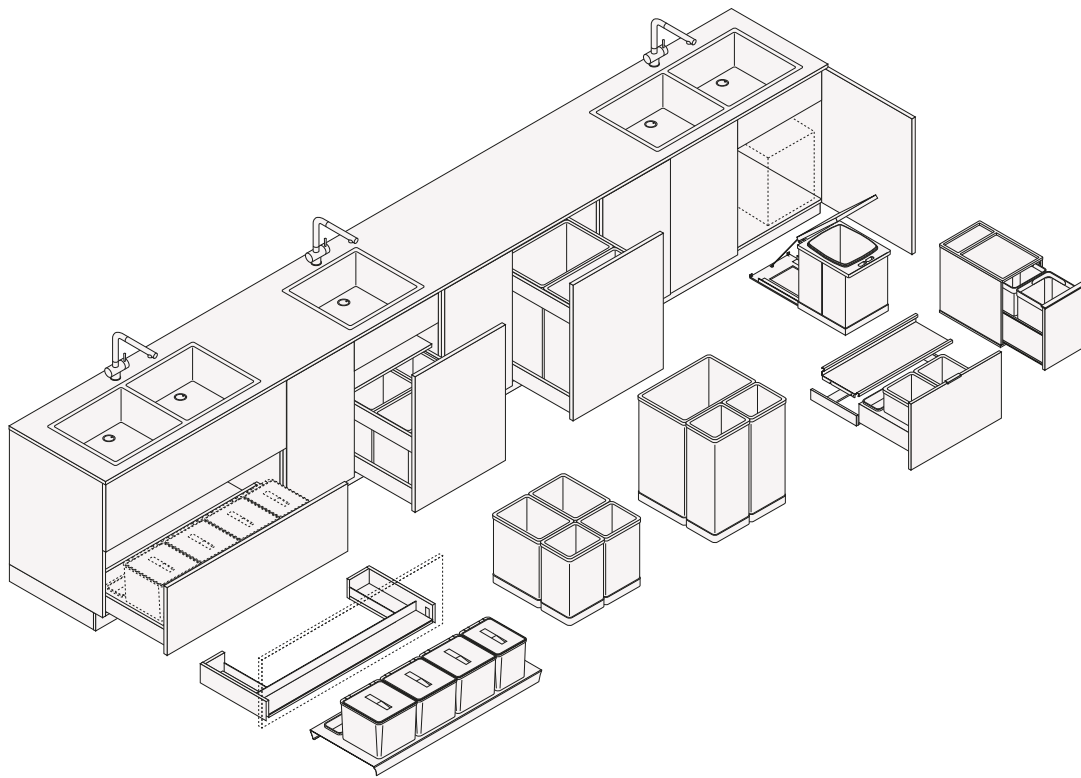


Integrated hoods



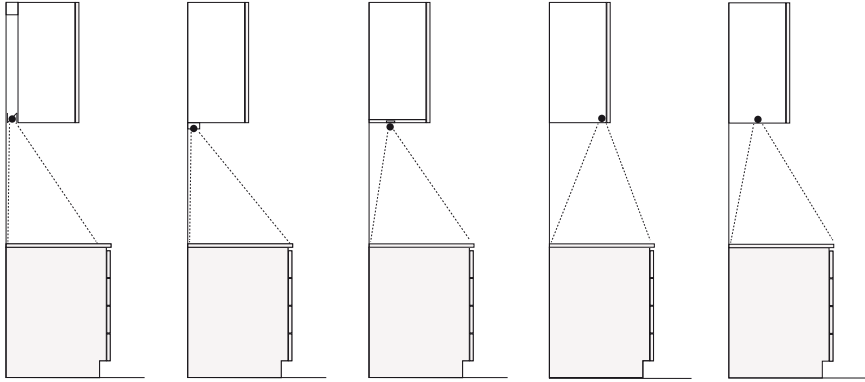
WASTEBINS AND SINK BASE UNITS

Structure item

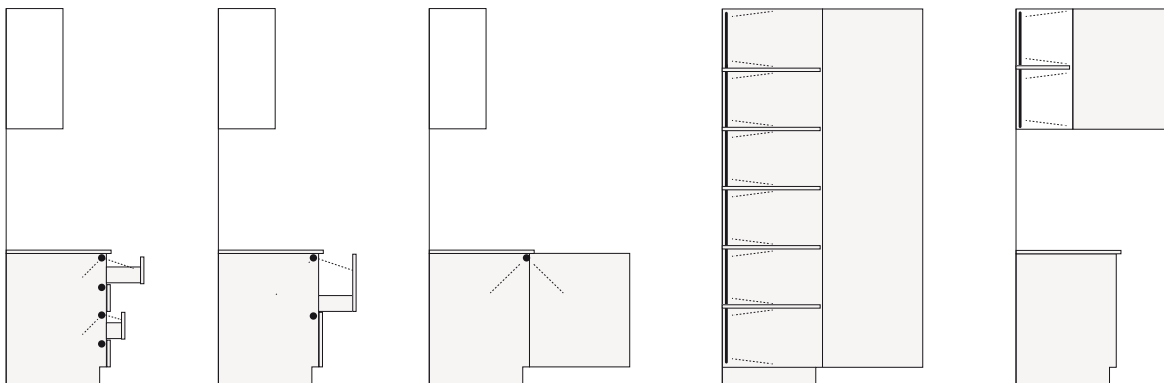


LIGHTING SOLUTIONS

Lighting on worktop

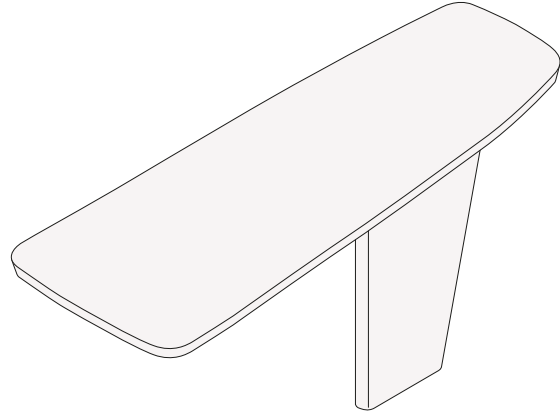
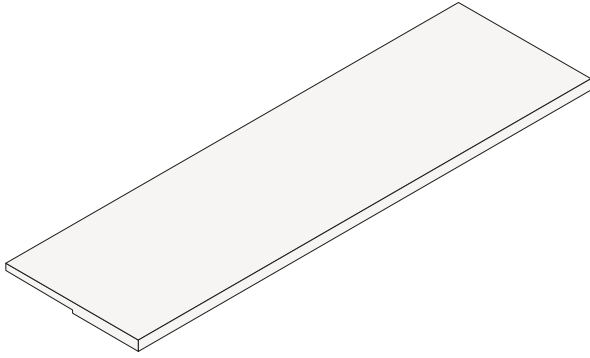


Inner lights



SNACK TABLES

Structure item

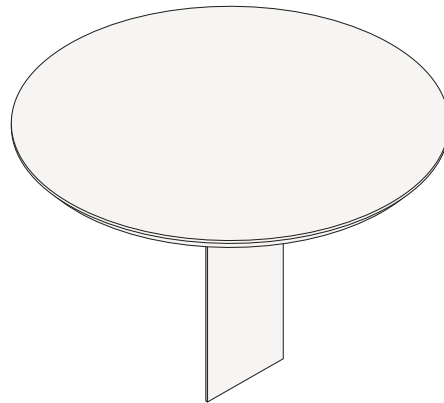
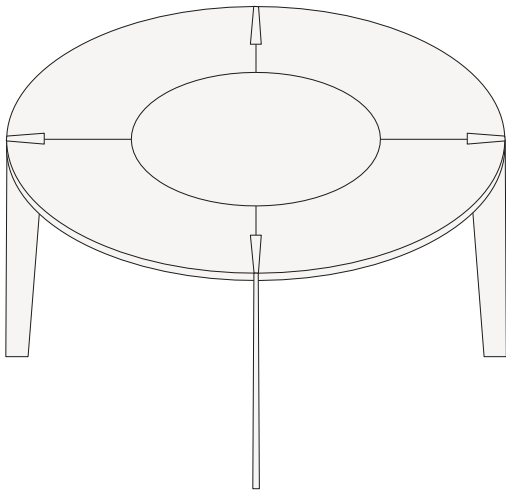


Snack for tops with support frame, top thickness 52.

To be used on thick tops. 6-12-20 with aluminum support frame. Top in gold oak, Spessart oak, gray stained oak, elm, black elm or walnut; solid canaletto walnut, black ash or stained black elm; all-colour laminate, all-colour touch laminate, embossed color lacquer, matt color lacquer or in DuPont Corian®. L up to 3000 lacquered or wooden snacks, I up to 3600 snacks in DuPont Corian®, I up to 4100 laminate snacks.

Sydney, top thickness 40.

To be used suspended or with leg. Top and leg in solid canaletto walnut, black ash or stained black elm. Sydney I 1550-1700-1850-2150 x 788, I 2450 x 895. Sydney with leg I 1850 x 925, I 2150 x 1025.



Moon, top thickness 40.

Top, legs and false leg insert in solid fossil oak, black ash or stained black elm. Revolving central top in polished and honed marble, natural stone and quartzite. Ø 1500 with two legs. Ø 1800 with three legs and integrated central swivel top.

Blade, top thickness 37.

To be used on thick tops. 6-12-20-30 40-52. Top in gold oak, Spessart oak, gray stained oak, elm, black elm or c. walnut, embossed lacquered colours, polished and honed marble, stone, Inalco MDI®, polished and micro-blasted quartzite or Dekton. Leg and tapered top support in embossed lacquered colours, matt champagne lacquer, lead, brass, bronze, aluminum and STM champagne lacquer. Ø 1200 - 1400.