



---

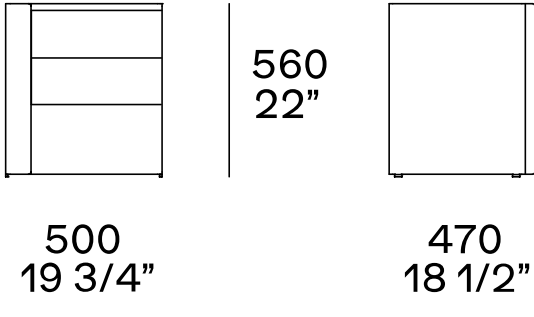
## DESCRIPTION

|                         |   |
|-------------------------|---|
| <b>Typology</b>         | Night complements   |
| <b>Outer structure</b>  | Aluminium covered in hide (external) and painted (inner)                    |
| <b>Inner structure</b>  | Panel of wooden particles faced melamine                                    |
| <b>Top</b>              | Panel of wooden particles or medium-density fibre panel in veneer or marble |
| <b>Drawer front</b>     | Panel of wooden particles in veneer   |
| <b>Drawer structure</b> | panel of wooden particles faced melamine                                    |

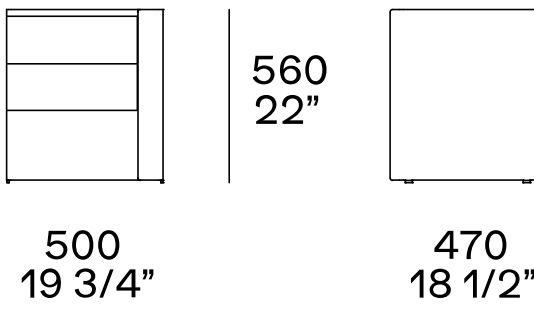
---

## DIMENSIONS

### Left. Two drawers



### Right. Two drawers



### Four drawers

