

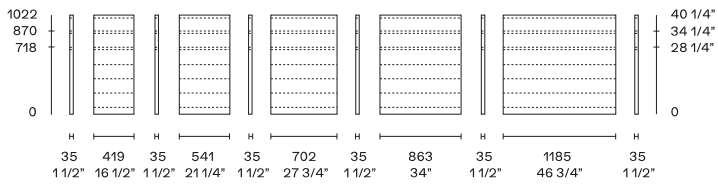


DESCRIPTION

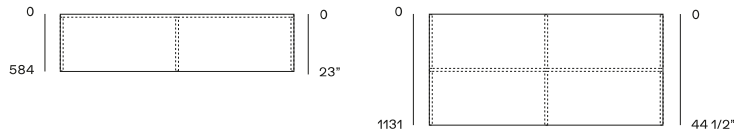
Typology	Island chests of drawers
Structure	Panel of wooden particles faced with melamine

DIMENSIONS

Height and width

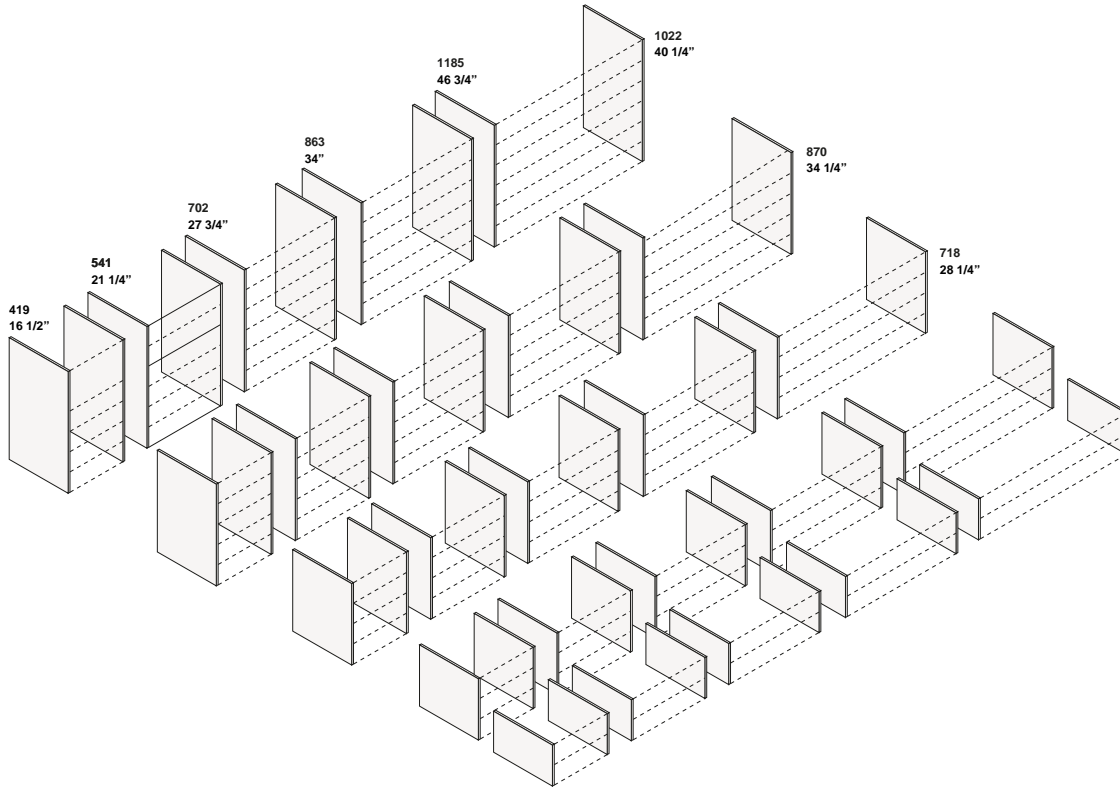


Depth



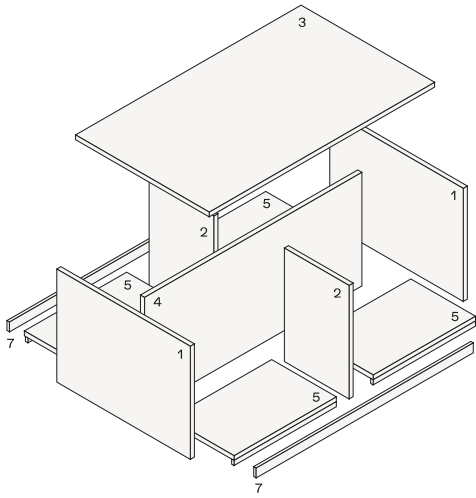
COMPONENTS

Modularità in altezza

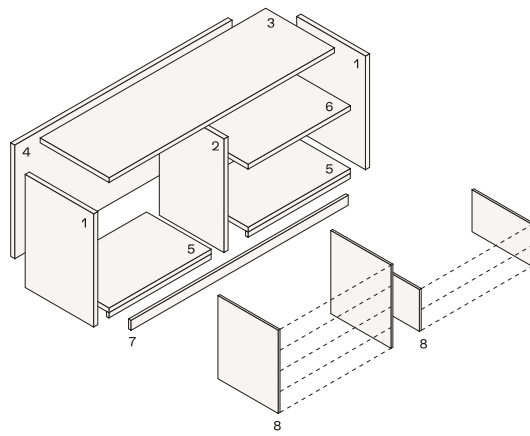


Depth

Depth mm 586



Depth mm 1133



- 1 Lateral side thickness 1 1/2"
- 2 Central side thickness 1 1/2"
- 3 Chest of drawers top in melamine maximum width 114 3/4", in technoleather maximum width 108 3/4"
- 4 Back panel thickness 1 1/2", maximum width 111 3/4"
- 5 Base
- 6 Shelf
- 7 Optional plinth, see page 31, maximum width 111 3/4"
- 8 Drawers and trays structure

Drawer and trays

