



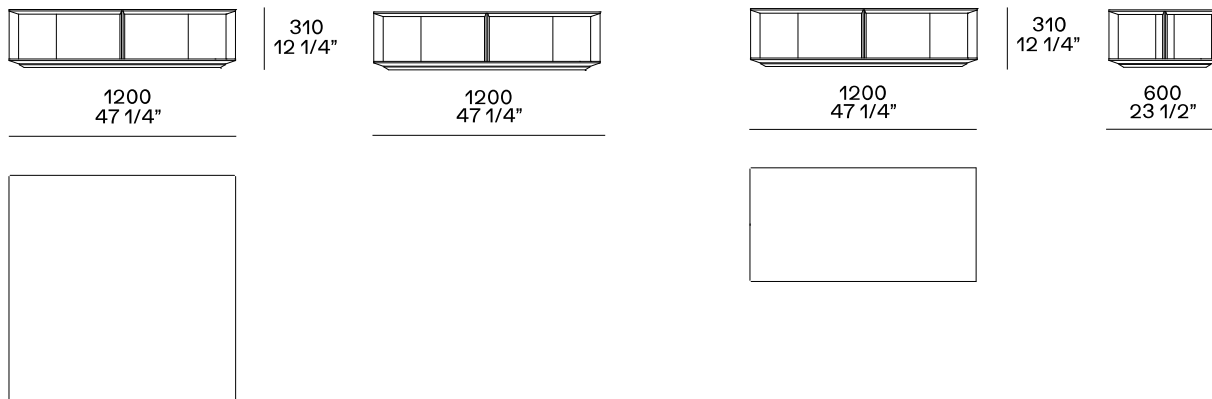
---

## DESCRIPTION

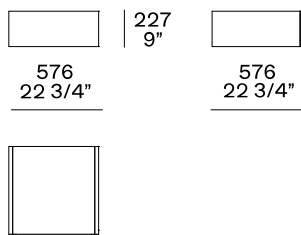
<b>Typology</b>	Coffee table
<b>Structure and base</b>	Medium-density fibre panel veneered
<b>Top</b>	Medium-density fibre panel veneered or marble
<b>Note</b>	Coffee table h475 only if it is placed next to an element of the Westside sofa or next to the coffee table 1300x800mm

## DIMENSIONS

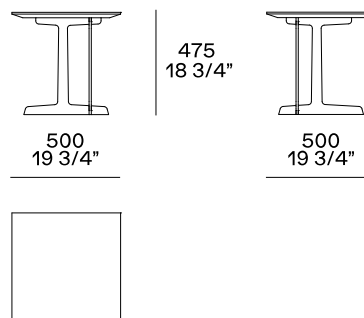
### Structure item



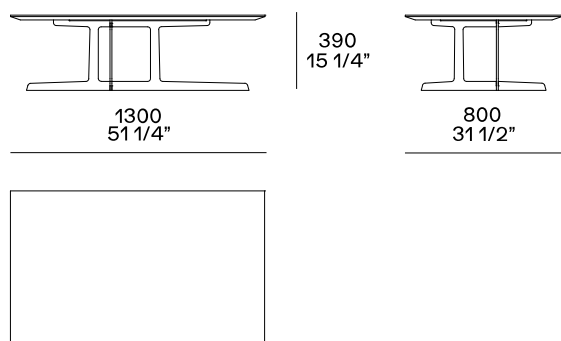
### Cassetto opzionale



### Struttura metallo



Disponibile solo per tavolino 1200x1200 con piano in olmo nero.



Per accostamento ad un modulo Westside necessario kit distanziale (per raggiungimento h tavolino 435).